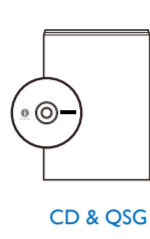
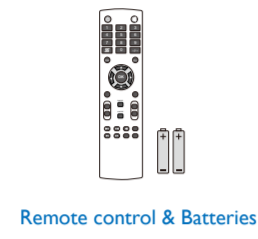


# Quick start guide

What's in the box



Remote control & Batteries

CD & QSG

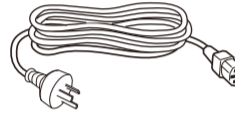
HDMI cable



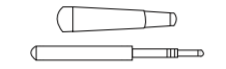
USB cable



Power Cords



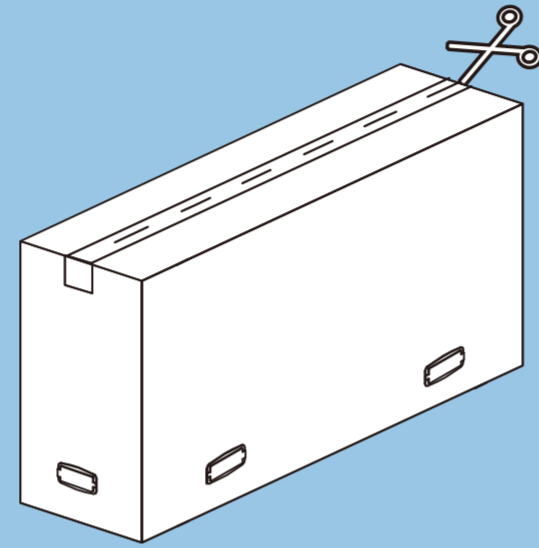
Touch pen



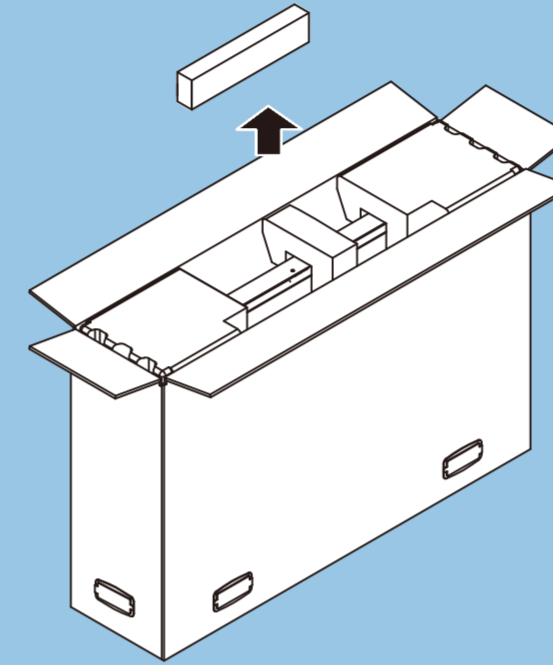
What else you'll need



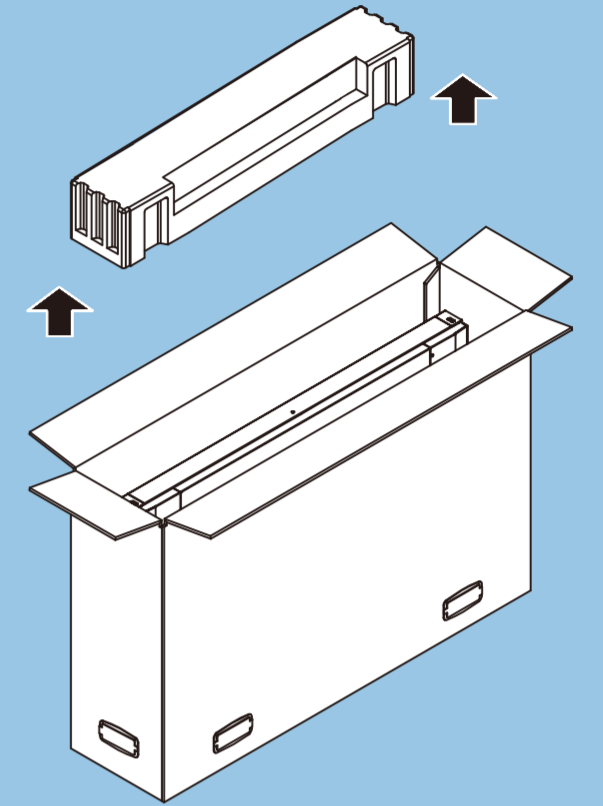
**1** Open the box.



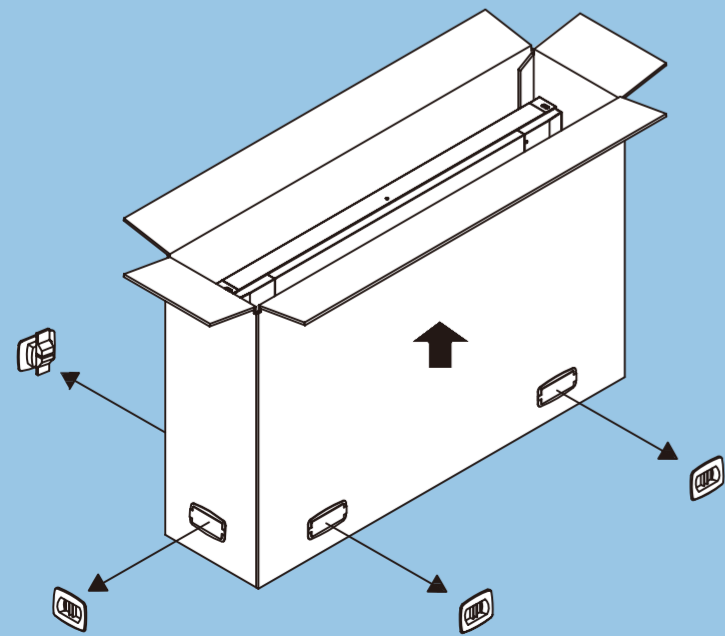
**2** Remove accessories from the box.



**3** Take the protective padding out.

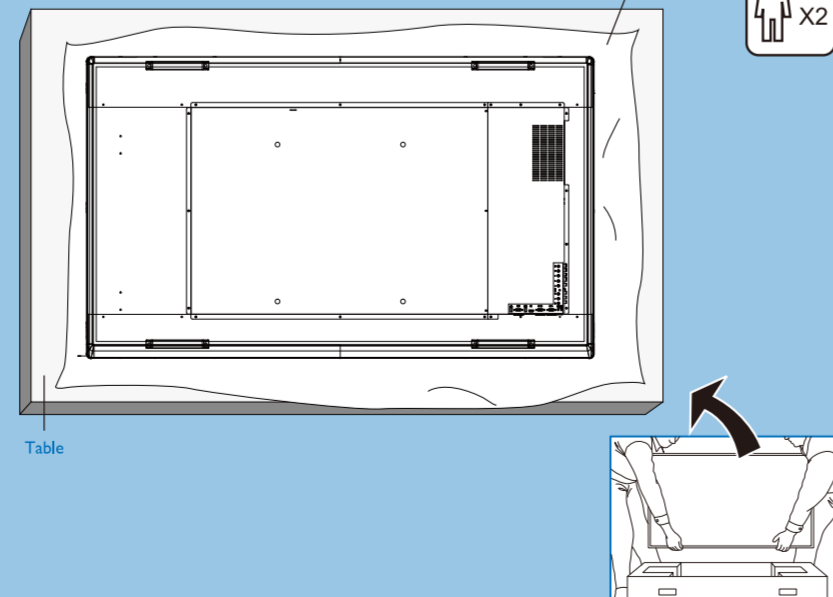


**4** Remove the plastic tabs from the box.



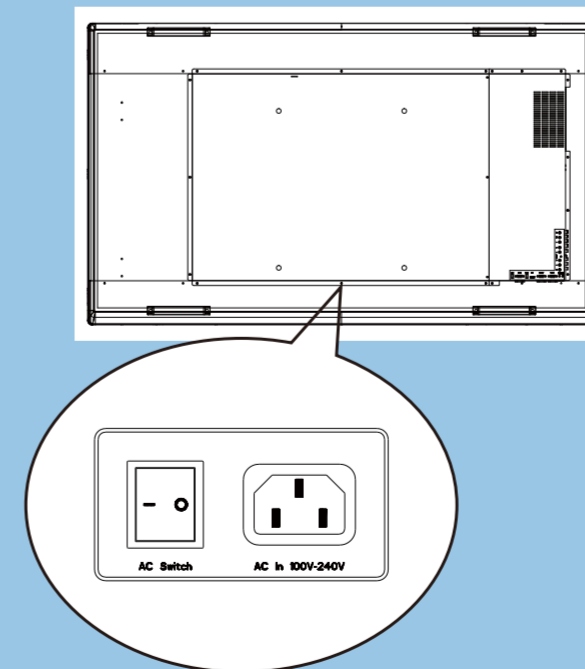
**5** Remove the LCD display from the box and put the display face down on a soft and smooth surface, such as newspaper or PE bag.

Protective Sheet

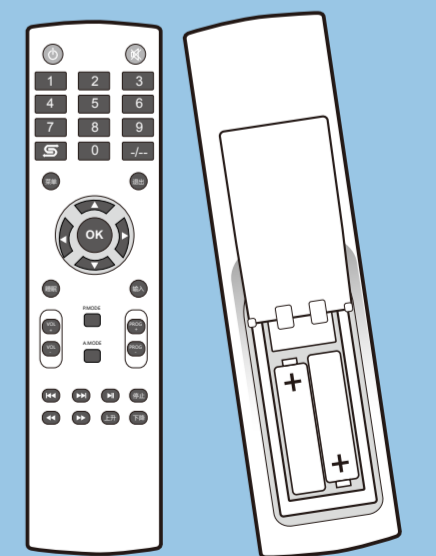


Table

**6** Switch the LCD display on.

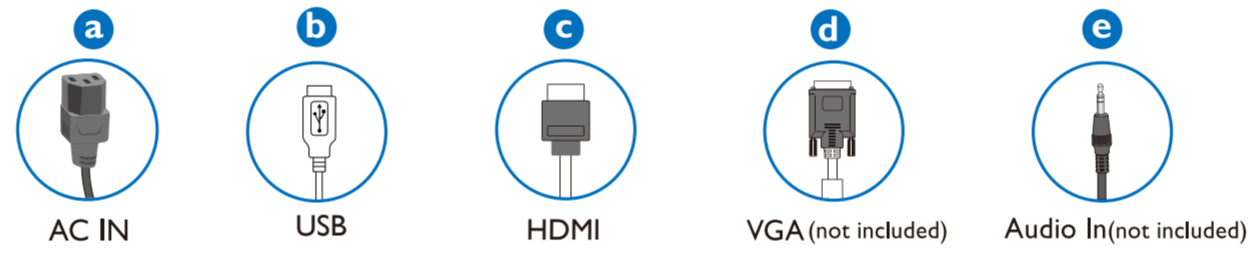
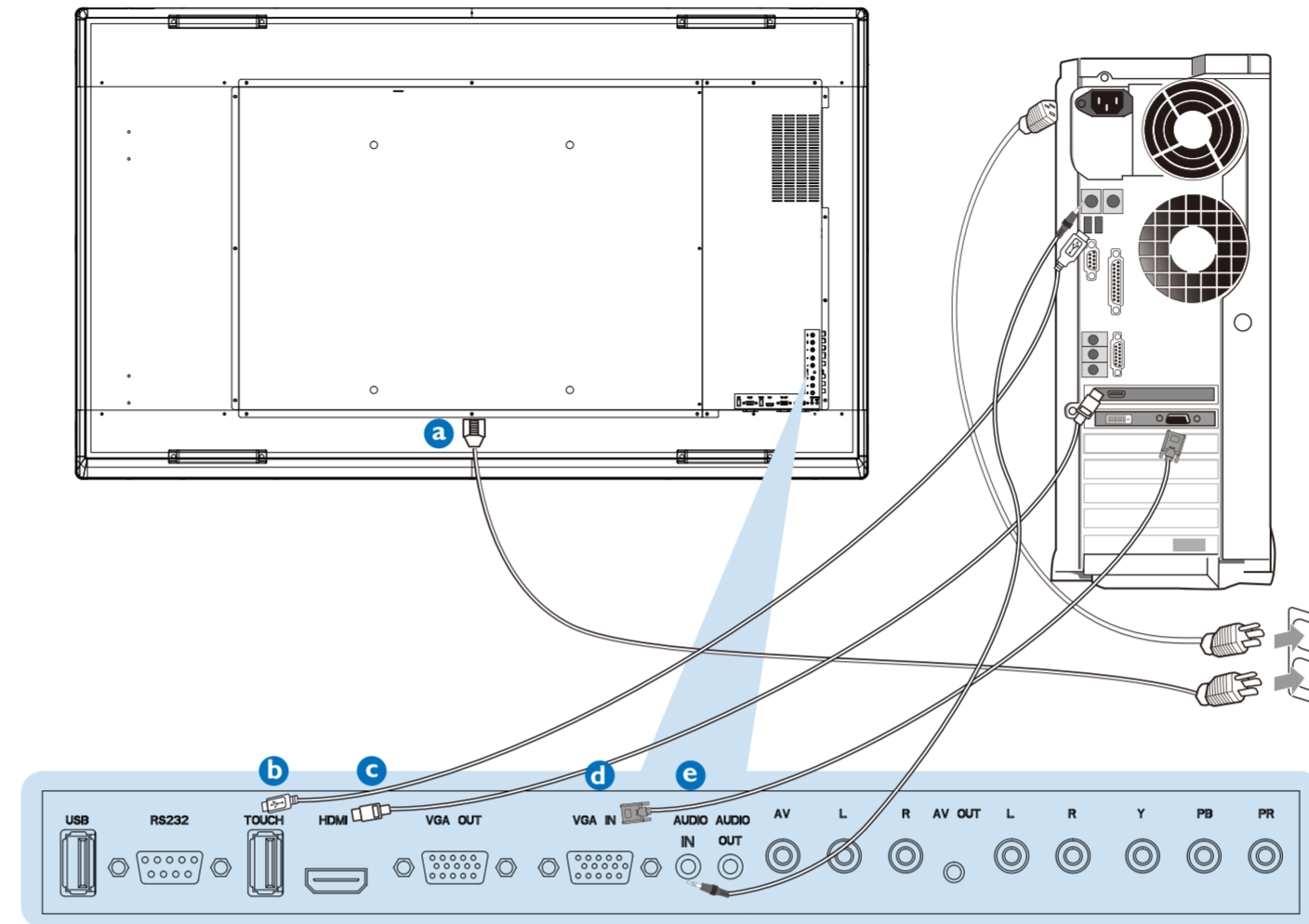
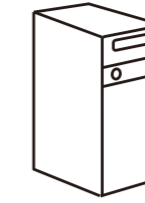


**7** Place the batteries in the remote control.



## Rear connectors

## Connect to PC



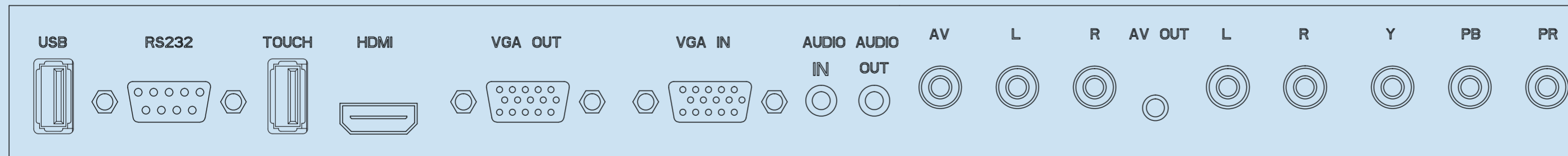
## Wall mounting

When installing the LCD display on the wall, please consult a professional technician for proper installation. The manufacturer accepts no liability for installations not performed by a professional technician.

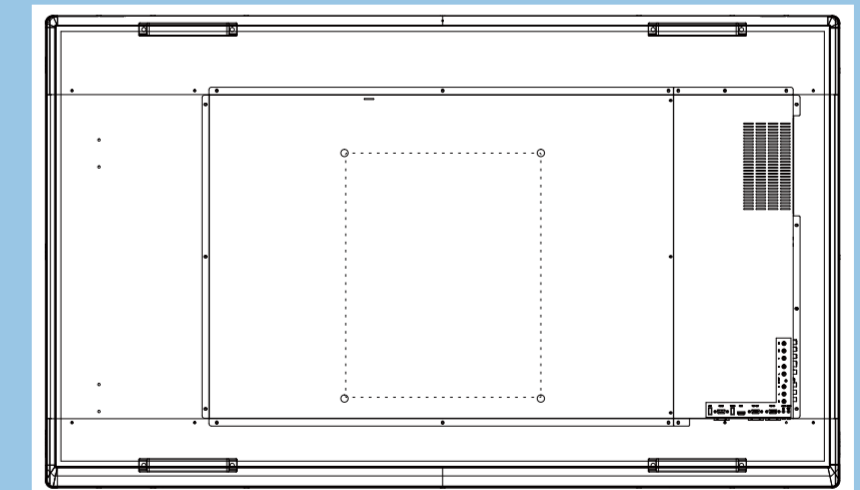
What else you'll need



For additional support, please consult your dealer or service center.



## Wall mounting holes



**!** Metric 8 (14 mm) screws are needed for wall mounting (not included).